



Sanitary Butterfly Valve

- Two sizes for multi-position handle
- Electro-pneumatic positioner
- C-TOP control unit
- Compact and robust design

The Burkert Sanitary type butterfly valve, whether manually or automatically operated, can be used in most liquid product applications in the food-processing, pharmaceutical and chemical industries. The butterfly valve can be operated automatically through an actuator or manually with a handle. The handle blocks the valve in the "open" or "closed" position, although there are also other models with intermediate positions. The actuator transforms the axial movement of the piston into a 90° rotary movement which it transmits to the disc.

Technical data	
Available sizes	DN 3/8" to DN 8"
Max. working temperature	14 °F to 248 °F (EPDM) 284 °F (SIP, max. 30 min)
Min. working pressure	3 PSI (abs.P)
Max. working pressure	145 PSI (DN 3/8" to DN 4") 116 PSI (DN 5" to DN 6") 72.5 PSI (DN 8")
Installation	As required
Body materials	Disc and body halves AISI 316L (forged) Handle AISI 304 / PP Other st. st. parts AISI 304 Gasket EPDM according to FDA 177.2600 Internal surface finish Ra ≤ 0.8 µm External surface finish Machined

Technical data (continued)

DN		Operating torque (N·m)
[inch]	[mm]	
3/8"	10	6
9/16"	15	6
3/4"	20	6
1"	25	8
1 1/4"	32	9
1 1/2"	40	10
2"	50	14
2 1/2"	65	18
3"	80	20
4"	100	25
5"	125	55
6"	150	70
8"	200	90

Test pressure 10 kg/cm²

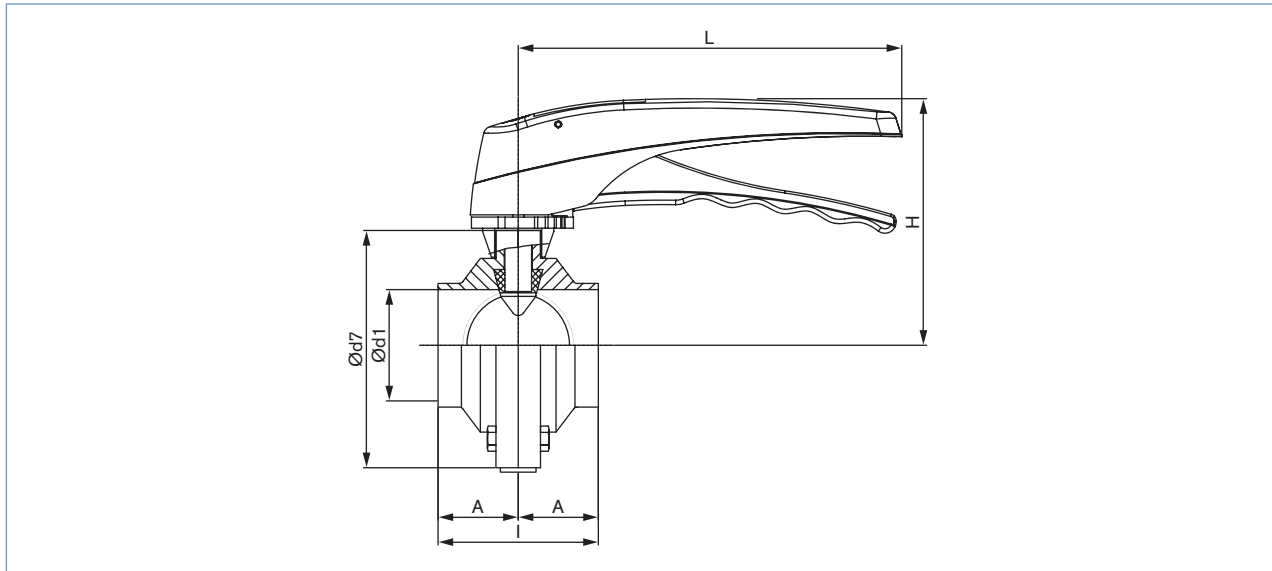
Design and features:

- Compact and robust design.
- Multi-position handle as standard feature for valves up to DN 4".
- Two-position handle as standard feature for valves starting from DN 4".
- Several models of easily interchangeable manual handles and pneumatic or electric actuators.
- Low pressure losses.
- Body halves interchangeable with any connection type.
- Connections: DIN 11850.
- Traceability of components.

Options:

- Valve in AISI 304.
- Gaskets: NBR, MVQ or FPM.
- Connections: Clamp, SMS, RJT, FIL-IDF, etc.
- Two sizes for multi-position handle.
- Handles: two-position, lever, micrometric, with safety lock, etc.
- Electric actuator or single- or double-acting actuator, the size is determined by the operating torque of the valve.
- Electro-pneumatic positioner.
- Inductive position sensors.
- C-TOP control unit (inductive position sensors or microswitches).
- ATEX version available.

Manual valve dimensions [mm]



DN [mm]	Ød1	Ød7	A	I	H	L
10	10	62	20	40	90	115
15	16	62	20	40	90	115
20	20	72	20	40	95	115
25	26	87	20	40	102	115
32	32	92	21	42	105	170
40	38	97	25	50	107	170
50	50	110	25	50	115	170
65	66	127	25	50	125	170
80	81	142	30	60	130	170
100	100	162	30	60	150	170
125*	125	190	55	110	147	270
150*	150	240	66	132	180	300
200*	200	284	75	150	205	325

DN [inch]	Ød1	Ød7	A	I	H	L
3/8"	9.4	62	20	40	90	115
9/16"	15.8	62	20	40	90	115
1"	22.1	87	20	40	102	115
1 1/2"	34.9	97	25	50	107	170
2"	47.6	110	25	50	115	170
2 1/2"	60.3	118	25	50	125	170
3"	72.9	131	25	50	130	170
4"	97.4	162	30	60	150	170
6"	146.8	240	66	132	180	300
8"	197.6	284	75	150	205	325

*With two-position handle only